



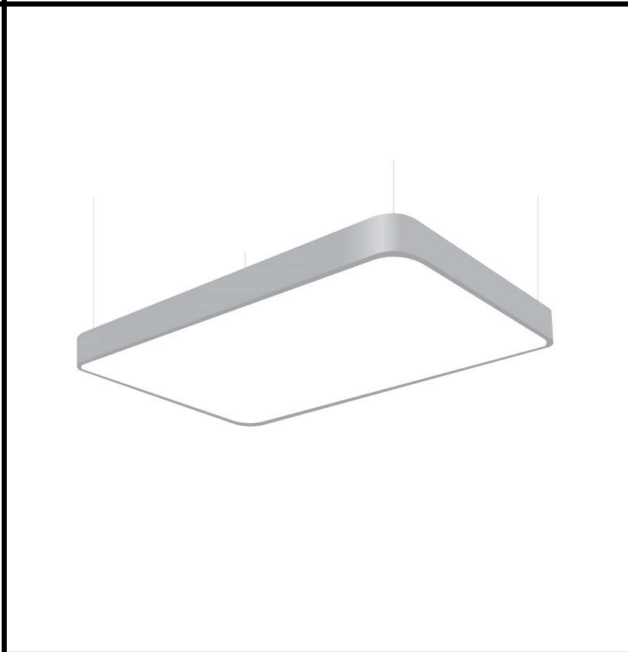
Sovitron Interior Pvt.Ltd.



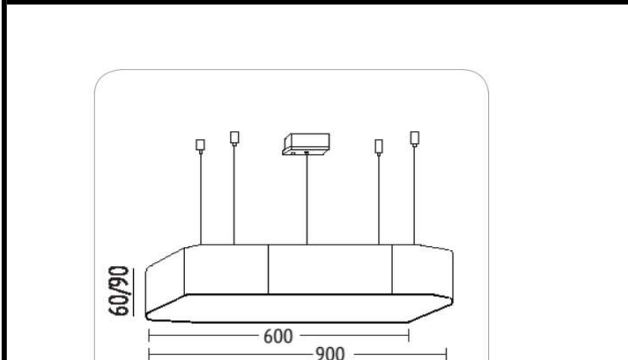
Model Name	Sigma Soft Pendant / DLASSSSDPD-70
Description	Architectural Light

Technical description	Image
-----------------------	-------

Dimension	L=1200mm H=60mm/90mm
Frame	Aluminium
Color Tempertaure	3000K
Power	70W
Total Luminous Flux	6300 lm
Efficacy	90 lm/W
IP rating	50
Color Rendering	≥80
Mounting	Pendant
Optics	White Opal Diffuser
Dimming	NON-Dimmable
Operating Voltage	220-240 VAC
Standard Lifetime	L70 minimum at 50,000 burning hours



Dimension diagram



Custom dimension, coating and installation available upon request

Remarks:-

Address: Plot #7 Saroorpur-Nangla Industrial Area,Ballabgarh-Sohna Road,Faridabad-121005
Email: info@sovitron.com